



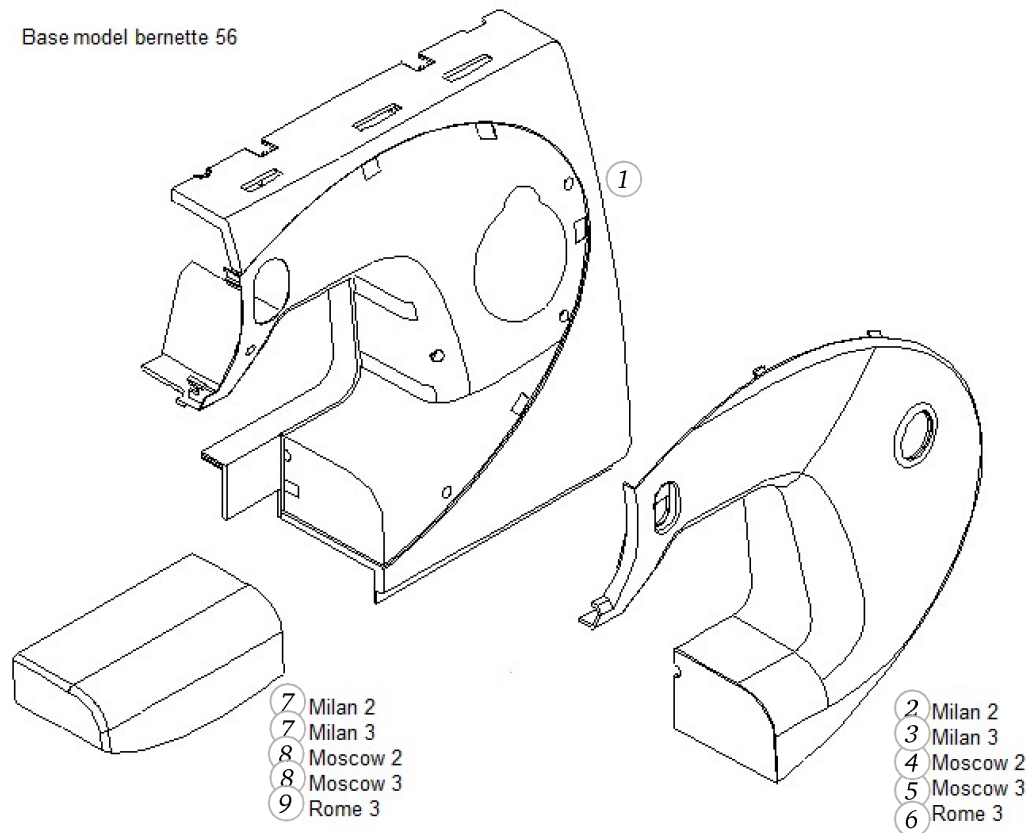
## Spare Parts

Milan 2, 3, 5, 7, 8

## Milan 2, 3, 5, 7, 8

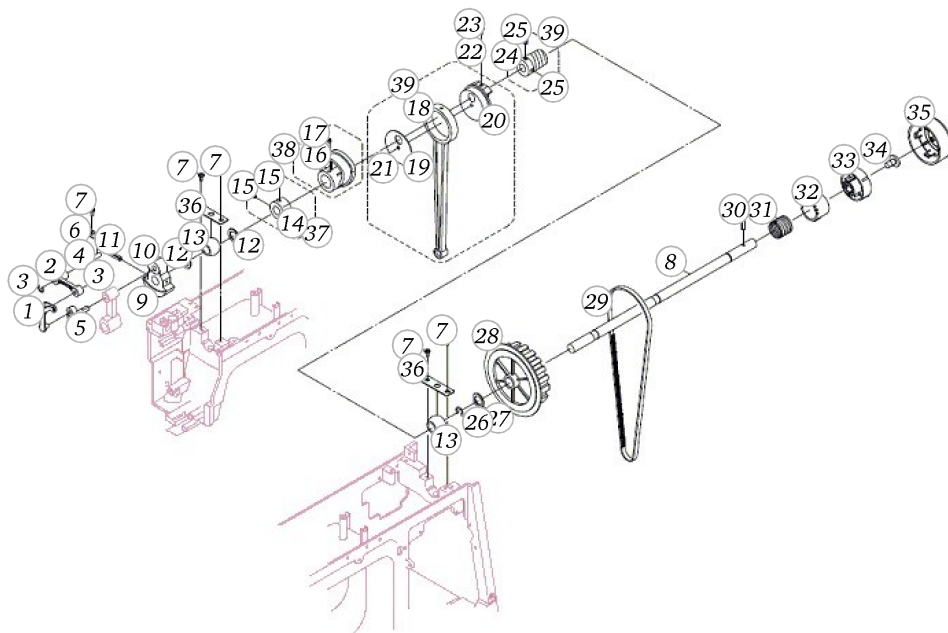
## Front cover (Moscow / Rome / Milan < 55105120)

Base model bernette 56



Pos	Item number	Description	Supplier Part no.
1	GGRC243892	FRONT COVER	
2	GGRP213060	FRONT PLATE	
3	G3RP063060	FRONT PLATE	
4	5020208968	FRONT DEC. PLATE	GGRP193005
5	5020208969	FRONT DEC. PLATE	G3RP053005
6	GGRP203036	FRONT PLATE	
7	5020209121	SEWING PLATE TABLE	GGR6014060
8	5020207070	ACCESSORY BOX 55SP	GGR6014005
9	5020207063	SEWING TABLE	GGR6014036

## Milan 2, 3, 5, 7, 8

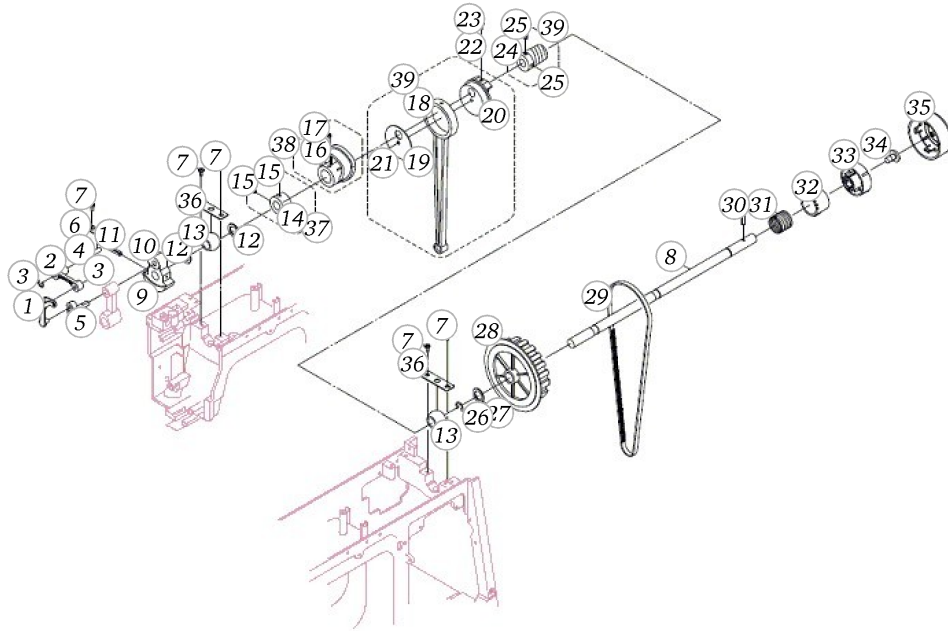


## Upper shaft

Pos	Item number	Description	Supplier Part no.
4	5020206076	THREAD TAKE UP LEVER CPL	E1A2513001
1	5020210351	THREAD TAKE UP LEVER CPL	V880784000
2	5020205861	THREAD TAKE UP LEVER SUPPORTER	V10523000
3	5020207868	E-RING ETW-4	003010043
4	5020206077	THREAD TAKE UP LEVER/SUPPORTER	V60223003
5	5020206018	ARM SHAFT BALANCE PIN	V10543000
6	5020209777	Carrying Handle Shaft(Set Washer)	H13093003
7	5020206112	SET SCREW	004240106
8	5020208911	Arm shaft	G4A0523000
9	5020206017	ARM SHAFT BALANCE	V61473000
10	5020206113	SET SCREW	004240223
11	5020206336	ARM SHAFT PIN	003043524
12	5020209472	Washer (10.2*16*0.5)	004400080
13	5020206337	ARM SHAFT BUSHING	R10293000
14	R10313000	ARM SHAFT COLLAR	
15	5020206117	SET SCREW	004250203
16	G4A0533000	Feed cam	
17	5020206116	GRUB SCREW	004240503
18	5020209254	Crank connecting rod	G4A0513000
19	V60073003	Crank connecting cover	
20	V60053000	Crank connecting rod cam	
21	5020206110	SET SCREW	004240056
22	5020206123	WASHER	004600026
23	004107063	SET SCREW (11/64x40 L=12)	
24	E1A1573000	Arm shaft worm	
25	5020206103	SET SCREW	
26	5020209836	E-Ring (E-9)	003010093
27	004300853	Washer □10.2×15×0.5 □	
28	5020206020	ARM SHAFT DRIVE BELT PULLEY	E4A0143210
29	007163XXL5	MOTOR DRIVE BELT	
30	5020209481	Spring Pin 3*18	003043018
31	5020205892	ARM SHAFT CLUTCH ANNULUS SPRING	R10393000
32	5020205831	ANNEAU DE FIXATION	R10403000
33	5020206034	HAND WHEEL BODAY	E9R0183210

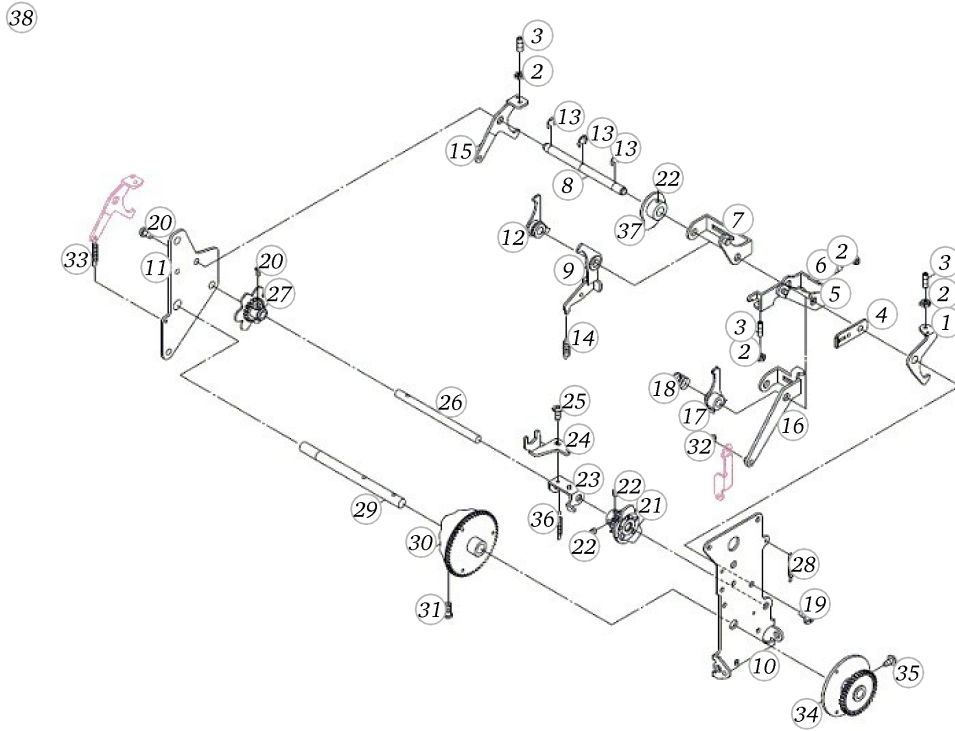
## Milan 2, 3, 5, 7, 8

## Upper shaft



Pos	Item number	Description	Supplier Part no.
34	5020209461	Set Screw (M5X10)	0042500016
35	5020205862	HAND WHEEL (55/65)	E9R0173893
36	V60113003	Arm shaft bushing holder plate	
37	5020206019	ARM SHAFT COLLAR CPL	R10304000
38	5020206031	Kurve KPL	G4A0535000
39	E1A1575000	ARM SHAFT WORM COMPLETE	

## Milan 2, 3, 5, 7, 8



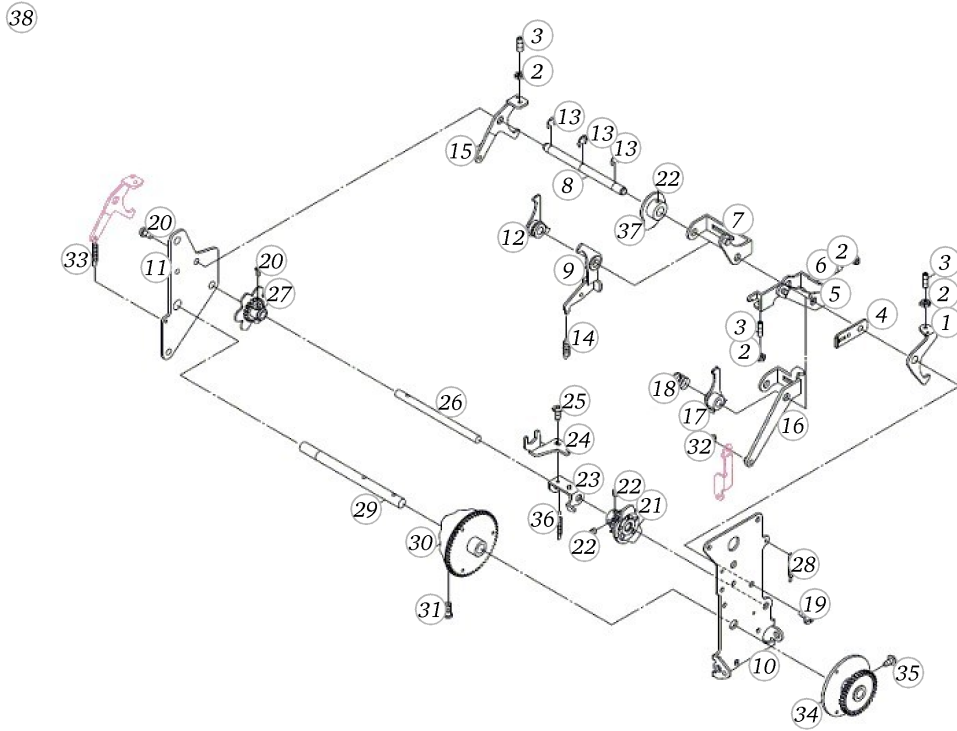
## Pattern cam contact

Pos	Item number	Description	Supplier Part no.
1	E1A0993003	Stretch stitch release plate	
2	5020206127	NUT	004840106
3	5020209673	Screw	004241093
4	5020206298	REVERSE BOARD	
5	EAA0093003	BH adjusting crank	
6	004240633	Feed back crank screw (set of 10 pcs)	
7	G4A0743003	Zig zag cam contact supporter	
8	F4A3043000	Zig zag cam contact supporter shaft	
9	EAA0103003	BH Feed crank	
10	E7R0123003	Pattern cam contact plate (front)(80e.65)	
11	G4A0733003	Pattern cam contact plate (back)	
12	E1A0873003	Zig zag cam contact (65)	
13	003010056	E-Ring □ETW-5 □(set of 10 pcs))	
14	E1A0973003	BH Feed crank spring	
15	G4A0753003	Zig zag release plate	
16	5020206343	CAM SUPPORTER	
17	E1A0923003	SS cam contact	
18	5020207874	SS CAM CONTACT SPRING	E1A0903003
19	5020206112	SET SCREW	004240106
20	004230286	SET SCREW □M3×8 □	
21	ECA0093000	Stretch stitch release	
22	5020206116	GRUB SCREW	004240503
23	E1A1073006	Zig zag movement contact	
24	E1A1083003	Movement plate	
25	5020206545	SCREW	004230016
26	F4A3093000	Pattern selector cam shaft	
27	E1A1053000	Zig zag cam	
28	H70553003	Spring	
29	F4A3073003	Pattern selector cam shaft	
30	GGR0093000	Pattern selector cam	
31	004240423	Set screw □M4 □	
32	5020206095	E-RING ETW-3	003010036
33	J31383003	Spring	
34	E1A1173000	Zig zag selector cam	

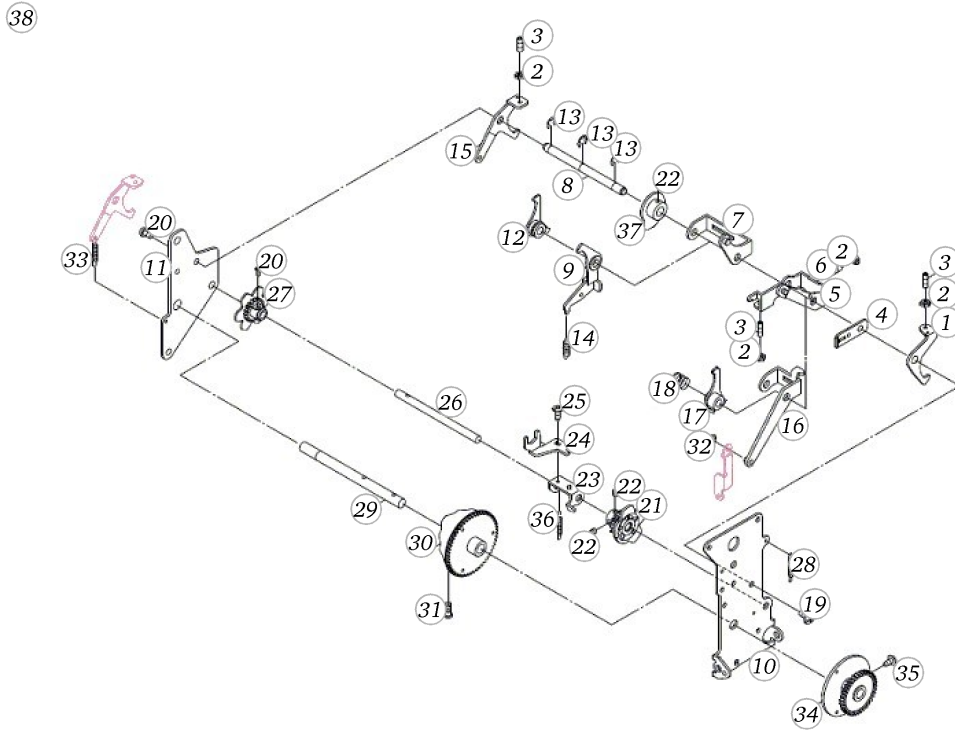
## Milan 2, 3, 5, 7, 8

## Pattern cam contact

Pos	Item number	Description	Supplier Part no.
35	5020206109	SET SCREW	004240046
36	5020206179	AUTO THREADER LEVER SPRING	M70093000
37	EAA0153003	BH pattern selector cam	
38	5020206048	PATTERN CAM CONTACT CPL	GGR0084000



## Milan 2, 3, 5, 7, 8



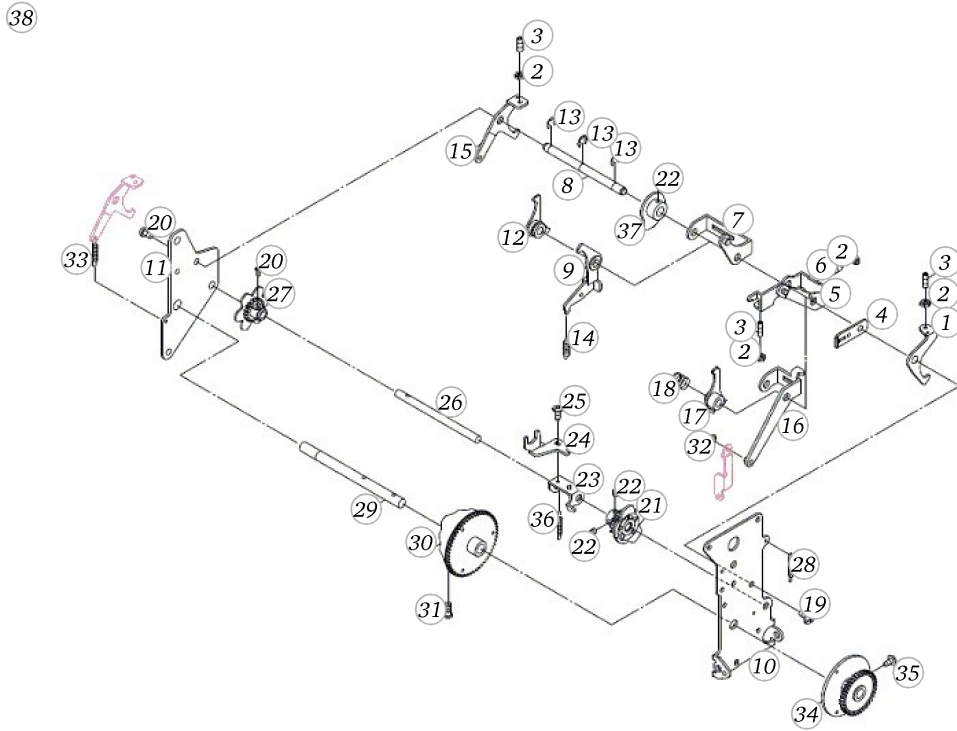
## Pattern cam contact (Rome 3)

Pos	Item number	Description	Supplier Part no.
1	E1A0993003	Stretch stitch release plate	
2	5020206127	NUT	004840106
3	5020209673	Screw	004241093
4	5020206298	REVERSE BOARD	
5	EAA0093003	BH adjusting crank	
6	004240633	Feed back crank screw (set of 10 pcs)	
7	G4A0743003	Zig zag cam contact supporter	
8	F4A3043000	Zig zag cam contact supporter shaft	
9	EAA0103003	BH Feed crank	
10	E7R0123003	Pattern cam contact plate (front)(80e.65)	
11	G4A0733003	Pattern cam contact plate (back)	
12	EAA0063003	Zig zag cam contact (90e.80e)	
13	003010056	E-Ring □ETW-5 □(set of 10 pcs))	
14	E1A0973003	BH Feed crank spring	
15	G4A0753003	Zig zag release plate	
16	E7R0153003	SS cam contact supporter	
17	EAA0083003	SS cam contact	
18	5020207874	SS CAM CONTACT SPRING	E1A0903003
19	5020206112	SET SCREW	004240106
20	004230286	SET SCREW □M3×8B □	
21	ECA0093000	Stretch stitch release	
22	5020206116	GRUB SCREW	004240503
23	E1A1073006	Zig zag movement contact	
24	E1A1083003	Movement plate	
25	5020206545	SCREW	004230016
26	F4A3093000	Pattern selector cam shaft	
27	E1A1053000	Zig zag cam	
28	H70553003	Spring	
29	F4A3073003	Pattern selector cam shaft	
30	GGR1043000	Pattern selector cam	
31	004240423	Set screw □M4 □	
32	5020206095	E-RING ETW-3	003010036
33	J31383003	Spring	
34	E1A1173000	Zig zag selector cam	

## Milan 2, 3, 5, 7, 8

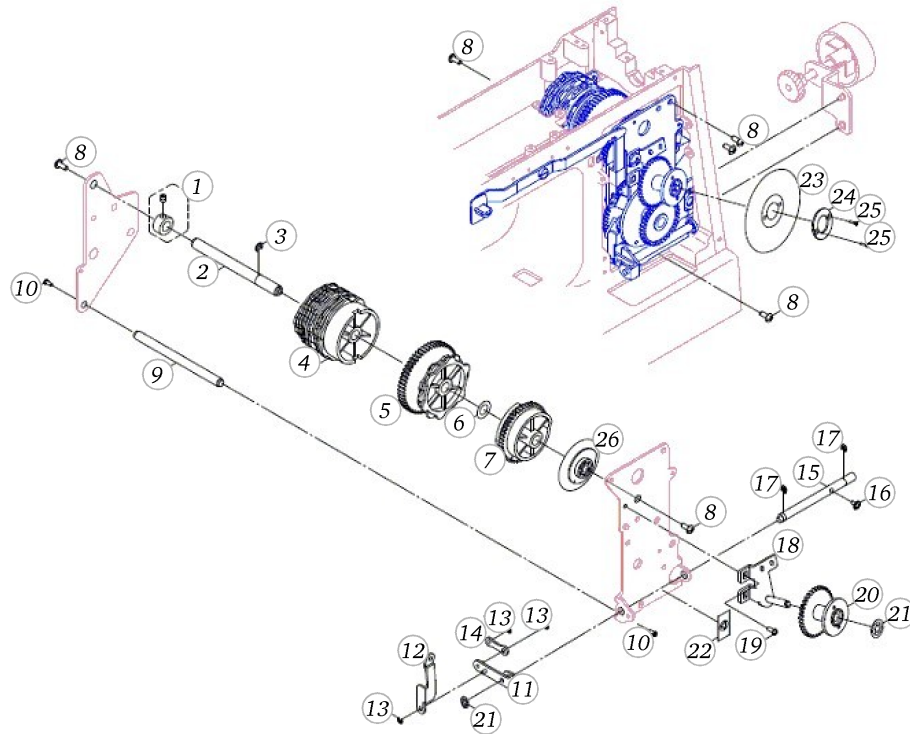
## Pattern cam contact (Rome 3)

Pos	Item number	Description	Supplier Part no.
35	5020206109	SET SCREW	004240046
36	5020206179	AUTO THREADER LEVER SPRING	M70093000
37	EAA0153003	BH pattern selector cam	
38	5020207647	PATTERN CAM CONTACT CPL	





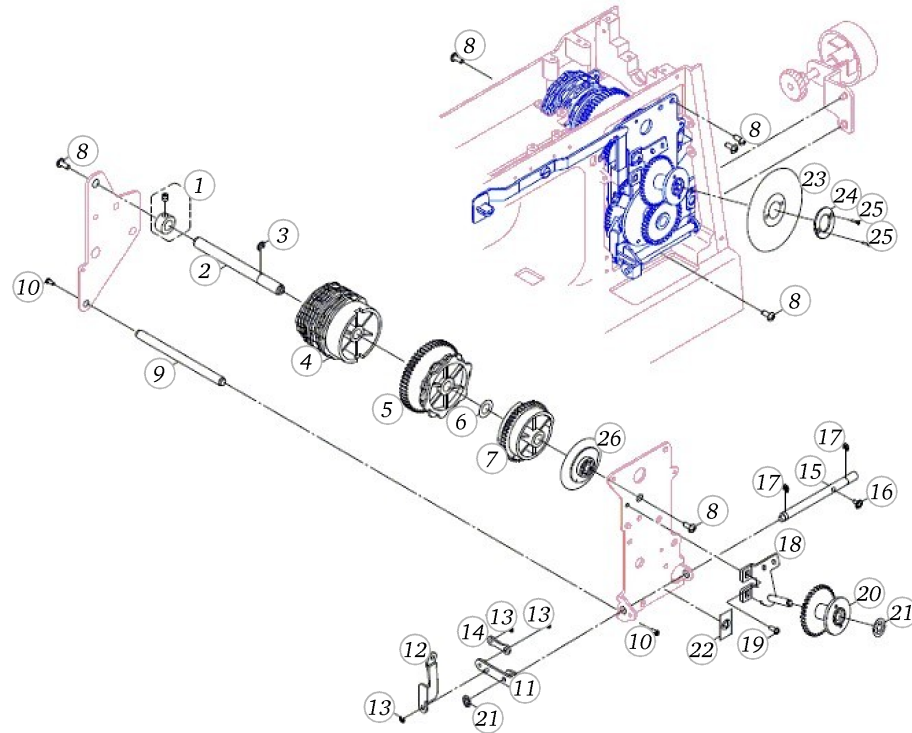
## Milan 2, 3, 5, 7, 8



## Pattern cam contact

Pos	Item number	Description	Supplier Part no.
1	H11935000	Pattern cam shaft collar complete	
2	F4A3023003	Pattern cam shaft	
3	5020206549	E-RING ETW-6	003010063
4	5020205873	PATTERN CAM	EAA0053000
5	EAA0043000	SS cam	
6	004300863	Washer□8.2×14×0.5□	
7	E1A0693000	Feed regulator cam	
8	5020206112	SET SCREW	004240106
9	F4A3063003	Pattern cam contact supporter shaft	
10	004230286	SET SCREW□M3×8B□	
11	E7R0203003	BH adjusting hook holder	
12	E7R0223003	Feed rock shaft	
13	5020206095	E-RING ETW-3	003010036
14	GGR0103003	Feed regulating rod	
15	E7R0193000	Adjusting shaft	
16	5020209647	Screw	004230816
17	5020207868	E-RING ETW-4	003010043
18	G4A0954006	PATTERN GEAR PLATE COMPLETE	
19	5020206110	SET SCREW	004240056
20	5020206439	PATTERN GEAR	
21	003020043	CS RING	
22	0030700013	Set Nut	
23	GGRD043210	PATTERN SELECTOR PLATE	
24	5020206052	PATTERN SELECTOR PLATE	E1A1213006
25	5020206060	SET SCREW M2*0.2	

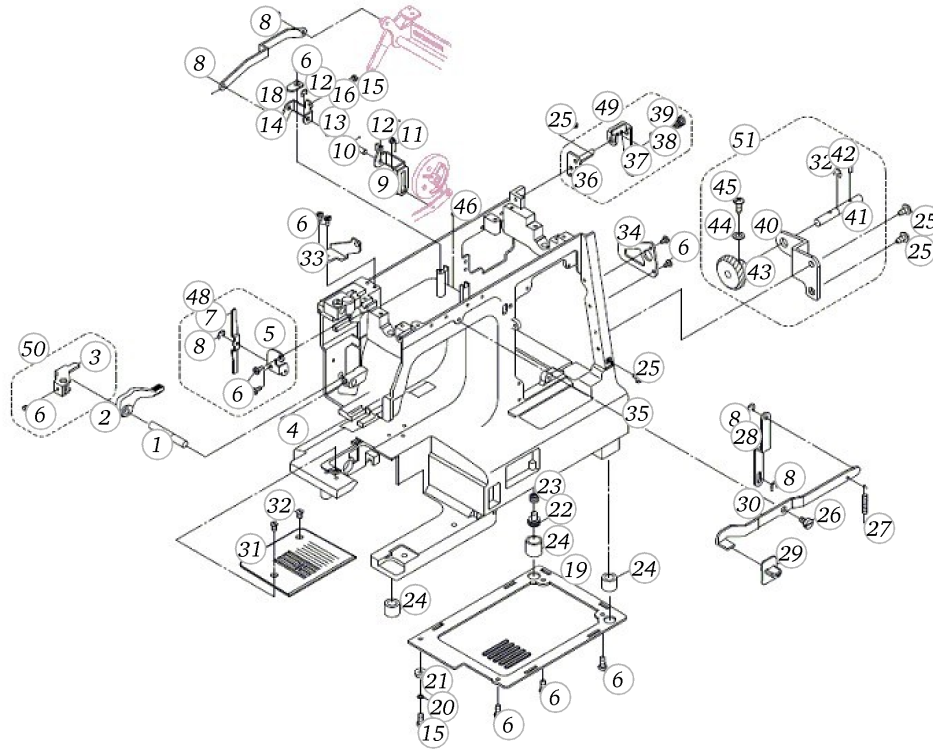
## Milan 2, 3, 5, 7, 8



## Pattern cam contact (Rome 3)

Pos	Item number	Description	Supplier Part no.
1	H11935000	Pattern cam shaft collar complete	
2	F4A3023003	Pattern cam shaft	
3	5020206549	E-RING ETW-6	003010063
4	5020207340	PATTERN CAM	GGR1033000
5	GGR1023000	SS cam	
6	004300863	Washer□8.2×14×0.5□	
7	EAA0033000	Feed regulator cam	
8	5020206112	SET SCREW	004240106
9	F4A3063003	Pattern cam contact supporter shaft	
10	004230286	SET SCREW□M3×8B□	
11	E7R0203003	BH adjusting hook holder	
12	E7R0223003	Feed rock shaft	
13	5020206095	E-RING ETW-3	003010036
14	GGR0103003	Feed regulating rod	
15	E7R0193000	Adjusting shaft	
16	5020209647	Screw	004230816
17	5020207868	E-RING ETW-4	003010043
18	G4A0954006	PATTERN GEAR PLATE COMPLETE	
19	5020206110	SET SCREW	004240056
20	5020206439	PATTERN GEAR	
21	003020043	CS RING	
22	0030700013	Set Nut	
23	GGRD033210	PATTERN SELECTOR PLATE	
24	5020206052	PATTERN SELECTOR PLATE	E1A1213006
25	5020206060	SET SCREW M2*0.2	
26	5020206265	STRETCH STITCH SEL. CAM	

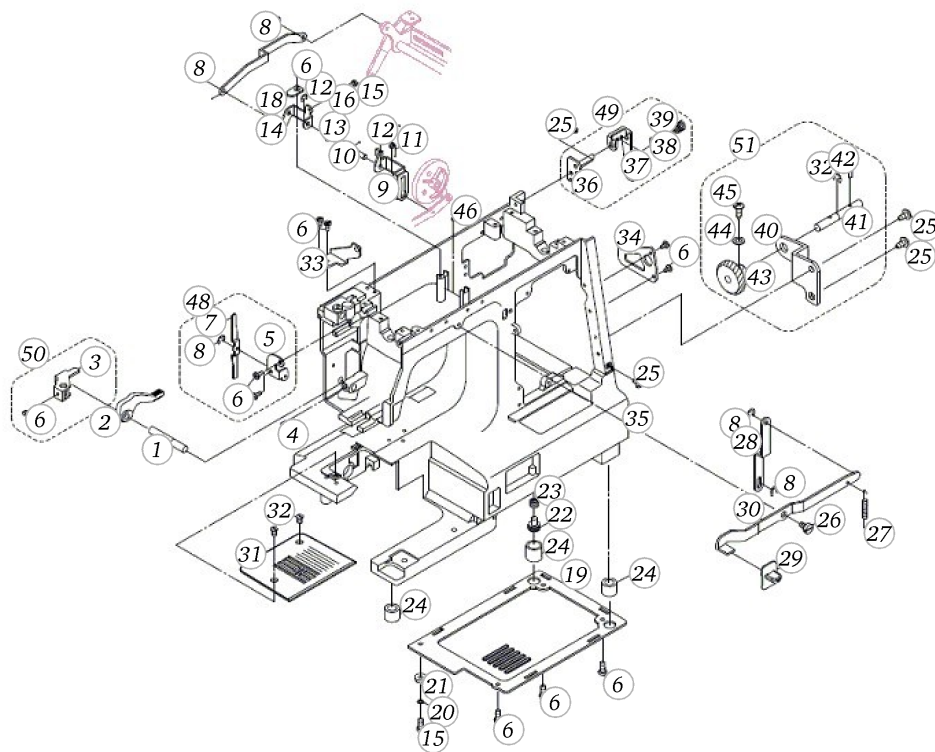
## Milan 2, 3, 5, 7, 8



## Zig zag unit

Pos	Item number	Description	Supplier Part no.
1	5020206364	PRESSER BAR LIFTER PIN	
2	5020206053	PRESSER BAR LIFTER LEVER	F4A0043000
3	F4A0063003	PRESSER BAR BRACKET	
4	5020206116	GRUB SCREW	004240503
5	G4A0673003	Tension frame	
6	5020206112	SET SCREW	004240106
7	G4A0663003	Tension lever lifter	
8	5020206095	E-RING ETW-3	003010036
9	GGR0483003	Zig zag width regulating cam	
10	G4A0793003	Zig zag width regulating cam shaft	
11	V61033003	Zig zag width spring	
12	5020207869	E-RING ETW-5	003010053
13	004300113	Washer□6.7×14×0.8□	
14	GGR0493003	Zig zag regulator crank	
15	5020206109	SET SCREW	004240046
16	5020206127	NUT	004840106
17	G4A0783003	Rod	
18	5020209777	Carrying Handle Shaft(Set Washer)	H13093003
19	5020206211	BOTTOM PLATE	
20	5020206119	WASHER	004300202
21	5020209189	FREE ARM BASE CUSHION RUBBER	J31413002
22	5020205867	BASE PLATE ADJUSTMENT SCREW	K82133006
23	5020205868	BASE PLATE ADJUSTMENT SCREW SPR	K82073003
24	5020208920	FREE ARM BASE CUSHION RUBBER	H70043002
25	5020206110	SET SCREW	004240056
26	004240883	Reverse lever set screw	
27	E1A2013003	Zigzag width spring	
28	E1A1553003	Reverse rod	
29	E9R0433892	REVERSE BUTTON	
30	GGR0213006	Reverse crank	
31	5020205865	NEEDLE PLATE	G4A0543004
32	5020205866	SET SCREW (M4X6)	004240851
33	GGR0173006	Arm top cover plate	
34	E1A1723003	Motor drive belt cover frame	

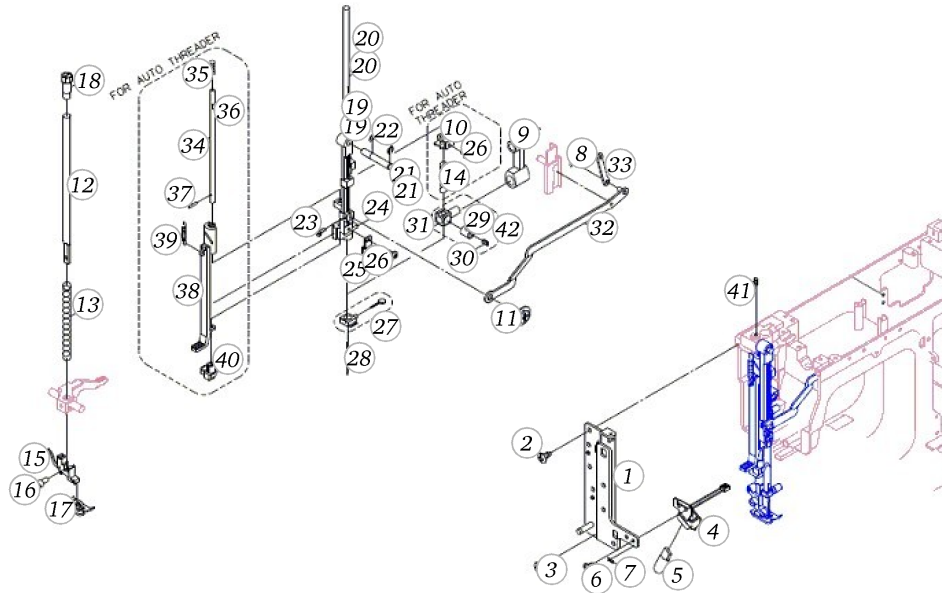
## Milan 2, 3, 5, 7, 8



## Zig zag unit

Pos	Item number	Description	Supplier Part no.
35	G4A0013000	Arm	
36	V61213003	Clutch rod plate	
37	5020206218	CLUTCH ROD	
38	5020209691	E-Ring (E-4)	003010046
39	V61243003	Clutch rod spring	
40	GGR0223003	Selector dial plate	
41	GGR0233006	Selector dial shaft	
42	003042516	Spring pin (□2.5×16)	
43	5020209151	Selector gear	F4A3113000
44	004300676	WASHER (3.2×8×0.8)	
45	004230286	SET SCREW □M3×8B □	
46	5020206113	SET SCREW	004240223
48	G4A0665000	Tension lever lifter plate	
49	5020206478	CLUTCH ROD PLATE	
50	5020206365	PRESSER BAR BRACKET	
51	GGR0225000	Selector dial plate complete	

## Milan 2, 3, 5, 7, 8

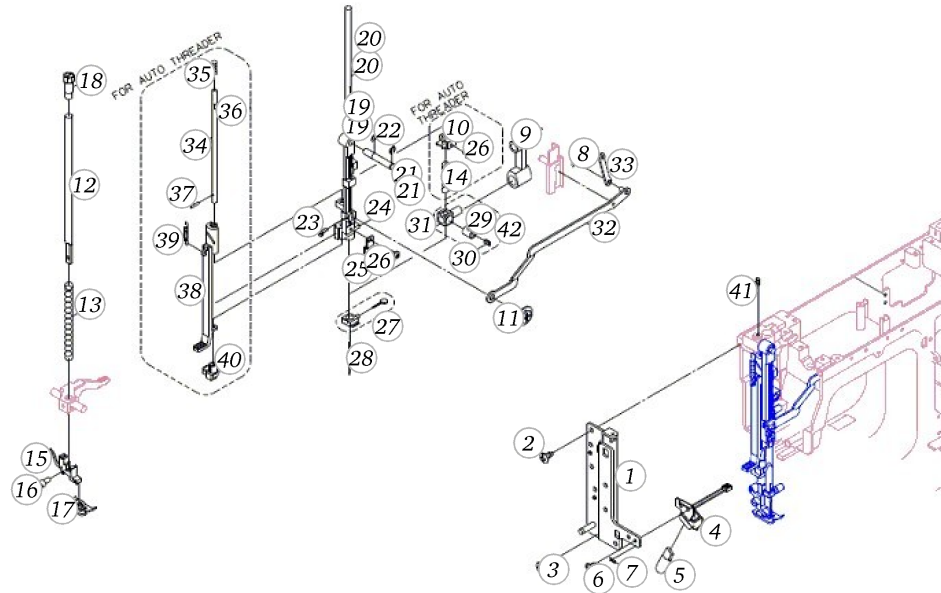


## Needle bar and presser foot

Pos	Item number	Description	Supplier Part no.
1	GGR0153006	BH lever plate	
2	5020206112	SET SCREW	004240106
3	5020206110	SET SCREW	004240056
4	5020206035	LAMP RECEPTABLE CPL	008860009
5	5020205877	LAMP (12V/5W)	005012021
6	5020209641	Set Screw (M3*5B)	004230056
7	028D3A0001	Lamp shicher	
8	5020206095	E-RING ETW-3	003010036
9	5020206214	NEEDLE BAR CRANK ROD	F4A3343000
10	D6B1093000	Auto threader stopper	
11	5020209574	NEEDLE BAR DRIVING ROD PIN	E1A2993000
12	5020206546	PRESSER BAR	
13	5020206144	PRESSER BAR SPRING	E1A2493003
14	H10723003	Tension lever lifter spring	
15	5020205941	SHANK CPL. FOR ZIG ZAG PRESSER FOOT	006187008
16	5020206102	SHANK CPL SET SCREW	004106221
17	5020205864	ZIG ZAG PRESSER FOOT	006806008
18	5020206215	PRESSER BAR REG.SCREW	E9R0403892
19	5020206338	NEEDLE BAR SUPPORTER	FCA0193002
20	5020206040	NEEDLE BAR	M30043000
21	R12723003	NEEDLE BAR SUPPORTER PIN (FOR AUTO THREADER)	
22	003010056	E-Ring □ETW-5□(set of 10 pcs))	
23	5020205171	Set screw	004106202
24	5020200061	NEEDLE BAR SUP. SPRING	H50583003
25	G4A0483003	Needle bar stopper plate	
26	5020209808	Set Screw M3*8A	0042300126
27	5020209225	Needle clamp	TA11484000
28	006222008	Needle	
29	5020200008	NEEDLE BAR CRANK (2)	
30	5020206116	GRUB SCREW	004240503
31	H10253000	NEEDLE BAR BRACKET	
32	GGR0023003	Needle bar driving rod complete	
33	5020206334	ZIG ZAG WITH CRANK ROD	

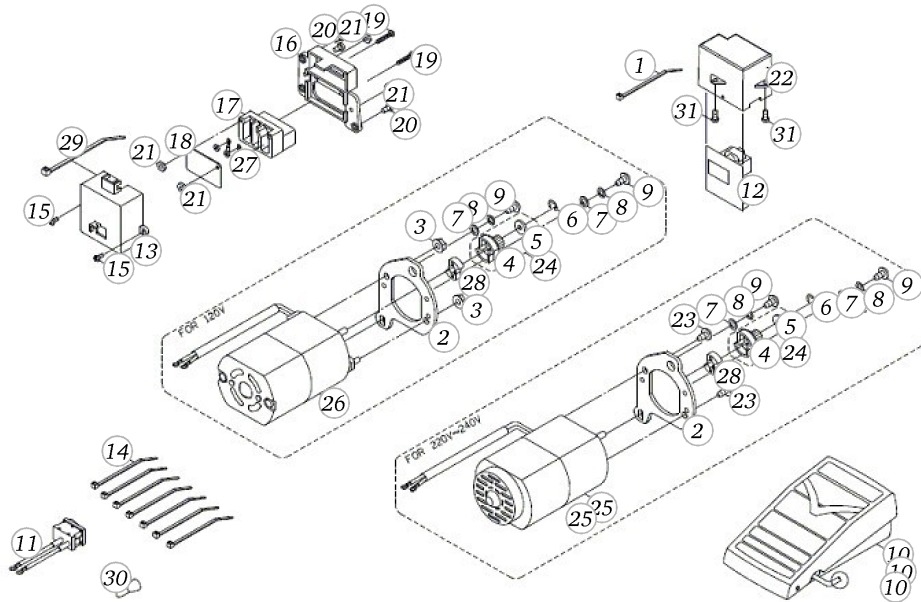
## Milan 2, 3, 5, 7, 8

## Needle bar and presser foot



Pos	Item number	Description	Supplier Part no.
34	5020206138	AUTO THREADER SHAFT	E1A0113000
35	5020206185	AUTO THREADER SHAFT SPRING	R12793003
36	003042012	SPRING PIN (set of 10 pcs)	
37	5020206097	SPRING PIN	003042006
38	D6B1063000	AUTO THREADER LEVER	
39	5020206179	AUTO THREADER LEVER SPRING	M70093000
40	5020205838	AUTO THREADER	E1A2125000
41	5020206108	SET SCREW	004240033

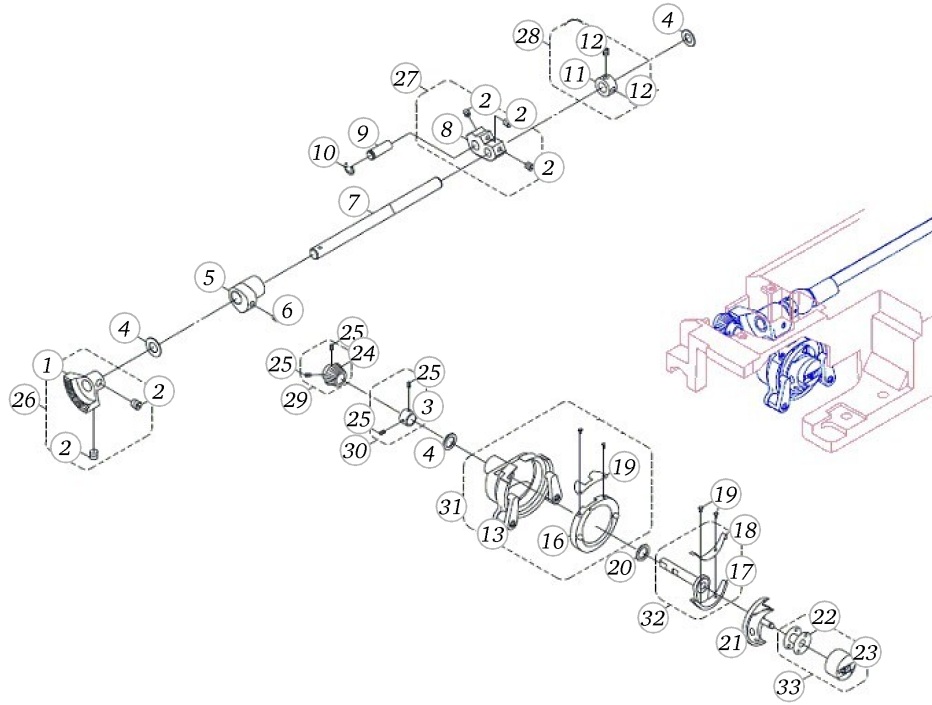
## Milan 2, 3, 5, 7, 8



## Motor

Pos	Item number	Description	Supplier Part no.
1	5020206505	CORD CLIP	002549129
2	002504025	Motor bracket	
3	004840131	Nut (M4 t=5.5)	
4	002396029	Belt wheel	
5	002145029	Motor feed regulator collar	
6	5020206095	E-RING ETW-3	003010036
7	004300306	WASHER 5.4×10×0.9	
8	004600296	SPRING WASHER (5.1×9.2×1.3) (SET OF 10)	
9	5020206498	SCREW M5*12	004250086
10	5020209100	FOOT CONTROLLER	002V881021
11	5020206071	SWITCH	002425118
12	008E9R0001	POWER CIRCUIT COMPLETE (220-240V)	
13	E1A1973892	RECEPTACLE HOLDER COVER	
14	5020209800	CORD CLIP	002027129
15	004230286	SET SCREW M3×8	
16	5020206093	RECEPTACLE HOLDER	002134129
17	002624129	Receptacle	
18	002621129	Concert insulation plate	
19	004230046	Set screw(M3*20B) (set of 10 pcs)	
20	5020206111	SET SCREW	
21	5020209626	Nut (M3)T=2.3	004830016
22	GGR0423892	POWER CIRCUIT BOX	
23	004241428	Set screw (M4x10.2)	
24	5020206024	BELT WHEEL	002396028
25	5020207391	MOTOR EUROPE 55/65	001E9R1001
26	5020207441	MOTOR	001351109
27	004840120	Nut (M3x4)	
28	5020206128	PULLEY CUSHION	008059302
29	002650129	Cord clip(200*2.5mm)	
30	AA0463000	End terminal	
31	5020206112	SET SCREW	004240106

## Milan 2, 3, 5, 7, 8



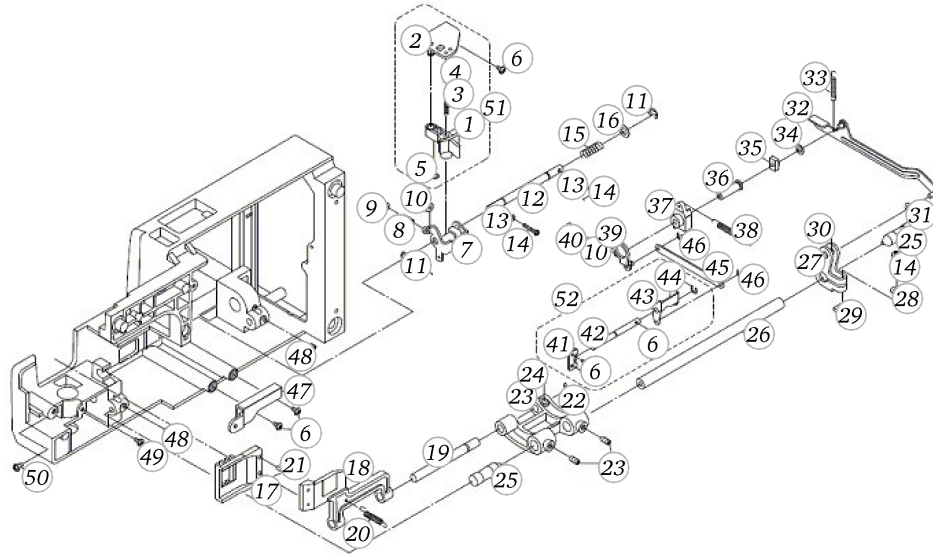
## Lower shaft

Pos	Item number	Description	Supplier Part no.
1	5020207149	LOWER SHAFT GEAR W/O SCREWS	G4A1573000
2	5020206117	SET SCREW	004250203
3	H71153003	Shuttle driver shaft collar	
4	5020206121	ENDURE ATTRITION WASHER	
5	5020209269	Feed lifting rock cam	G4A1254000
6	5020206108	SET SCREW	004240033
7	G4A0083000	LOWER SHAFT	
8	V60363000	Crank connecting rod crank	
9	V10833003	Crank connecting rod crank pin	
10	5020207869	E-RING ETW-5	003010053
11	V11553003	LOWER SHAFT COLLAR	
12	5020206116	GRUB SCREW	004240503
13	5020205885	OPEN SHUTTLE RACE CPL.	V10995000
14	5020206068	SHUTTLE HOOK HOLDER SPRING	
16	5020206067	SHUTTLE HOOK HOLDER	
17	K81123002	Shuttle driver	
18	5020206064	SHUTTLE DRIVER SPRING	K81143003
19	004103043	SHUTTLE DRIVER SPRING SCREW	
20	004400800	Endure bar washer (7.6×12×0.13)	
21	5020207274	SHUTTLE HOOK (4.6MM)	V62043000
22	5020205923	BOBBIN	5020208150
23	GGR0743001	BOBBIN CASE	
24	5020207147	SHUTTLE DRIVER GEAR W/O SCREW	G4A1583000
25	004107293	SET SCREW (11/64×40×4)	
26	5020207146	LOWERSHAFT GEAR CPL WITH SCR	G4A1574000
27	5020206341	CRANK ROD CPL	V60354000
28	5020209733	LOWER SHAFT COLLAR COMPLETE	V11564000
29	G4A1584000	SHUTTLE DRIVER SHAFT GEAR COMPLETE	
30	5020206062	SHUTTLE DRIVER SHAFT COLLAR CPL	H71155000
31	5020205885	OPEN SHUTTLE RACE CPL.	V10995000
32	5020206061	SHUTTLE DRIVER CPL	K81125000
33	5020209214	Bobbin case cpl	GGR0744000



## Milan 2, 3, 5, 7, 8

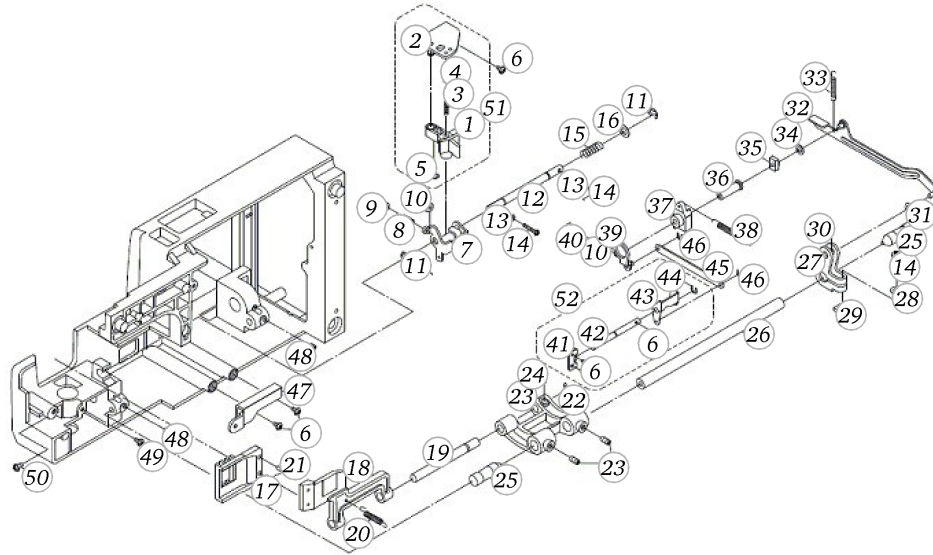
## Feed dog unit



Pos	Item number	Description	Supplier Part no.
1	GGR0283892	Feed dog lifting rod	
2	G4A1003003	Feed lifting shaft crank	
3	5020209250	PRESSURE REGULATOR DIAL PIN SPRING	H10483003
4	5020206653	SWITCH KNOB POSITION	H12883000
5	5020209691	E-Ring (E-4)	003010046
6	5020206112	SET SCREW	004240106
7	G4A1263582	Feed rock crank	
8	004250323	Set screw □M4×7□	
9	K81243000	Set screw knob	
10	5020206127	NUT	004840106
11	5020209664	E-Clip (E-7)	003010073
12	G4A1023003	Feed rock shaft	
13	5020206528	WASHER	004300136
14	5020209163	Set screw	004240146
15	K81263003	Feed lifting rock shaft spring	
16	004300226	E-Ring (8.2×16×1)	
17	5020205889	FEED DOG	H70523002
18	5020206339	FEED DOG FRAME	
19	5020209252	FEED BAR SHAFT	H70513003
20	5020206342	FEED BAR SPRING	
21	5020200666	FEED DOG SET SCREW	004104013
22	5020207869	E-RING ETW-5	003010053
23	G4A1113000	Feed rock frame	
24	5020206113	SET SCREW	004240223
25	H70883000	Center bar	
26	G4A1103003	Feed rock shaft	
27	G4A1143008	Feed rock crank	
28	004300093	Washer (4×8×0.5)	
29	004840073	Feed rock crank Nut (M4)	
30	5020206095	E-RING ETW-3	003010036
31	004400450	Endure attrition washer(5.5×12×0.25)	
32	G4A1243003	FORK ROD	
33	5020206186	FORK ROD SPRING	
34	004400180	Washer (5.7×10.5×0.5)	

## Milan 2, 3, 5, 7, 8

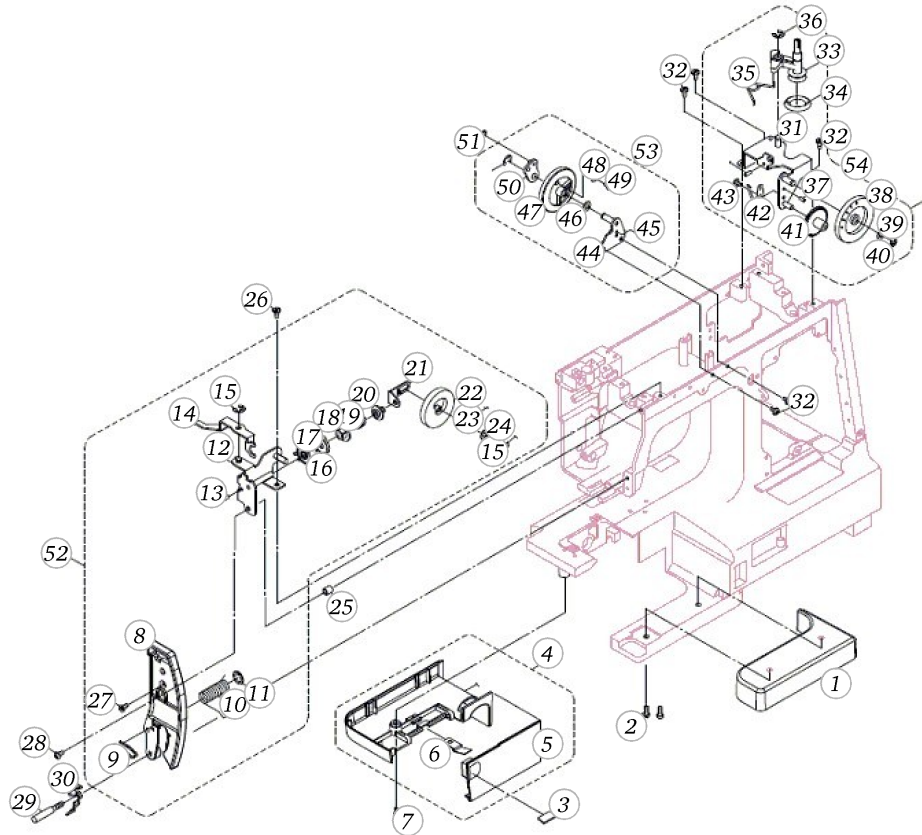
## Feed dog unit



Pos	Item number	Description	Supplier Part no.
35	V11533000	Feed regulating block	
36	V60443000	Feed regulating shaft	
37	5020209249	FEED REGULATION PLATE COMPLETE	G4A1163000
38	5020206187	FEED REGULATION SPRING	
39	G4A1175003	Feed regulating plate complete	
40	5020206109	SET SCREW	004240046
41	GGR0113003	Fees rod frame complete	
42	GGR0133003	Feed rod frame shaft	
43	GGR0123003	Feed rock rod crank	
44	5020206549	E-RING ETW-6	003010063
45	GGR0073003	Feed rock rod (2)	
46	5020209691	E-Ring (E-4)	003010046
47	G4A0973003	Foot hook holder	
48	5020206108	SET SCREW	004240033
49	004250151	Set screw (M5×10 B)	
50	5020206111	SET SCREW	
51	GGR0284892	FEED DOG LIFTING ROD COMPLETE	
52	GGR0114000	Feed rod frame complete	

## Milan 2, 3, 5, 7, 8

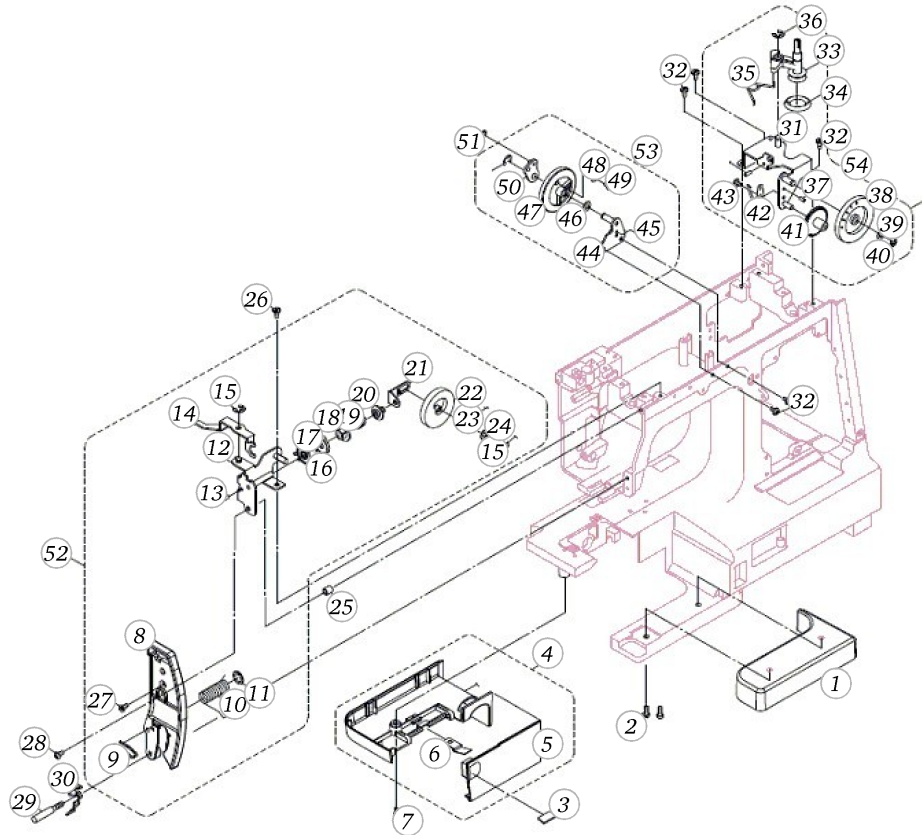
## Free arm



Pos	Item number	Description	Supplier Part no.
1	5020206168	FREE ARM FOOT BUSH	GGR0333892
2	5020207662	SET SCREW (M3*8)	004230796
3	5020206305	CUSHION RUBBER	GGR0543000
4	GGR6033892	HOOK COVER	
5	5020206296	HOOK COVER	GGR0323892
6	5020206396	HOOK COVER SPRING	R12453002
7	004241061	SET SCREW (M4*12)	
8	5020206205	DIAL TENSION SUPP. COVER	GGR0293892
9	5020206074	THREAD GUIDE	V61873001
10	5020205859	THREAD GUIDE SPRING (TAKE UP SPRING)	E1A2073000
11	5020206096	CS-RING	003020453
12	E9R0375000	Dial tension supporter plate complete	
13	5020206526	PIN	003043010
14	G4A1563003	Dial tension waft plate	
15	5020207868	E-RING ETW-4	003010043
16	5020206206	DIAL TENSION DISC 1	J30423001
17	5020206538	DIAL TENSION DISC 2	E1A2333001
18	5020206208	DIAL TENSION REGULATOR	R10593000
19	5020206539	DIAL TENSION SPRING	NB1083000
20	5020207882	DIAL TENSION REGULATOR	K50193000
21	E9R0363006	Dial tension spring plate	
22	5020207379	Dial tension knob	E9R7793892
23	004500360	WASHER (WW-5) (SET OF 10)	
24	5020209605	Washer (5.2*10*0.5)	004300643
25	G4A1623001	Dial tension guide spring tube	
26	5020206110	SET SCREW	004240056
27	5020209164	Set screw	004240176
28	004240086	Set screw (M4*20 B)	
29	5020206056	SCREW	
30	5020206073	THREAD GUIDE	GGR0503001
31	GGR0185006	Bobbin winder frame	
32	5020206112	SET SCREW	004240106
33	5020206293	BOBBIN WINDER CRANK CPL	V61165000
34	5020206163	BOBBIN WINDER RUBBER PULLEY	F20213000

## Milan 2, 3, 5, 7, 8

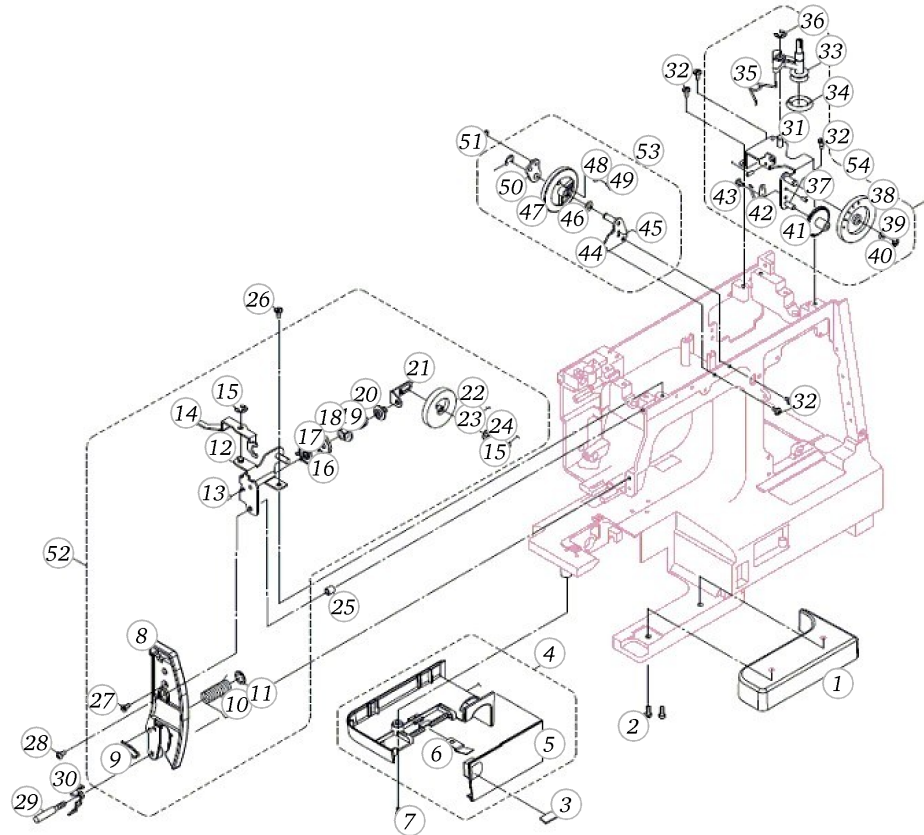
## Free arm



Pos	Item number	Description	Supplier Part no.
35	5020206232	BOBBIN WINDER CRANK SPRING	V61563003
36	5020207869	E-RING ETW-5	003010053
37	003043006	Spring pin (ø3×6×0.6)	
38	E9R9293892	FEED REGULATOR DIAL	
39	004300186	WASHER (6.2×12×0.5)	
40	5020209691	E-Ring (E-4)	003010046
41	5020209175	Feed regulator gear	V61183000
42	EAA0203003	Feed regulator set plate	
43	5020206112	SET SCREW	004240106
44	5020206087	ZIG ZAG WITH DIAL PLATE	
45	003043008	Spring pin (□3×8)	
46	004900063	Washer (6.2×12×2×0.15)	
47	5020207378	ZIG ZAG WIDTH DIAL	GGR8793892
48	004300076	Washer□4.2×9×0.5□	
49	004240676	SET SCREW (M4×5 B)	
50	5020206084	ZIG ZAG WITH CRANK	
51	5020206095	E-RING ETW-3	003010036
52	GGR0464892	DIAL TENSION COMPLETE	
53	GGR8794892	ZIGZAG WIDTH DIAL COMPLETE	
54	GGR0474892	BOBBIN WINDER FRAME COMPLETE	

## Milan 2, 3, 5, 7, 8

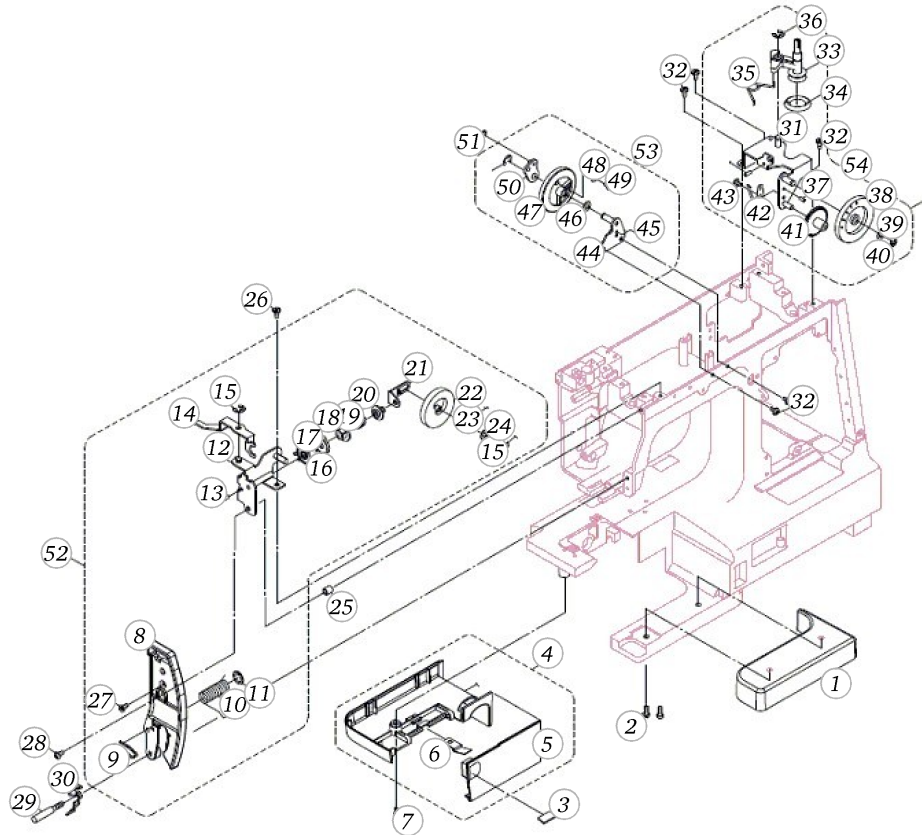
## Free arm (Rome 3)



Pos	Item number	Description	Supplier Part no.
1	5020206168	FREE ARM FOOT BUSH	GGR0333892
2	5020207662	SET SCREW (M3*8)	004230796
3	5020206305	CUSHION RUBBER	GGR0543000
4	GGR6033892	HOOK COVER	
5	5020206296	HOOK COVER	GGR0323892
6	5020206396	HOOK COVER SPRING	R12453002
7	004241061	SET SCREW (M4*12)	
8	5020206205	DIAL TENSION SUPP. COVER	GGR0293892
9	5020206074	THREAD GUIDE	V61873001
10	5020205859	THREAD GUIDE SPRING (TAKE UP SPRING)	E1A2073000
11	5020206096	CS-RING	003020453
12	E9R0375000	Dial tension supporter plate complete	
13	5020206526	PIN	003043010
14	G4A1563003	Dial tension waft plate	
15	5020207868	E-RING ETW-4	003010043
16	5020206206	DIAL TENSION DISC 1	J30423001
17	5020206538	DIAL TENSION DISC 2	E1A2333001
18	5020206208	DIAL TENSION REGULATOR	R10593000
19	5020206539	DIAL TENSION SPRING	NB1083000
20	5020207882	DIAL TENSION REGULATOR	K50193000
21	E9R0363006	Dial tension spring plate	
22	5020207379	Dial tension knob	E9R7793892
23	004500360	WASHER (WW-5) (SET OF 10)	
24	5020209605	Washer (5.2*10*0.5)	004300643
25	G4A1623001	Dial tension guide spring tube	
26	5020206110	SET SCREW	004240056
27	5020209164	Set screw	004240176
28	004240086	Set screw (M4*20 B)	
29	5020206056	SCREW	
30	5020206073	THREAD GUIDE	GGR0503001
31	GGR0185006	Bobbin winder frame	
32	5020206112	SET SCREW	004240106
33	5020206293	BOBBIN WINDER CRANK CPL	V61165000
34	5020206163	BOBBIN WINDER RUBBER PULLEY	F20213000

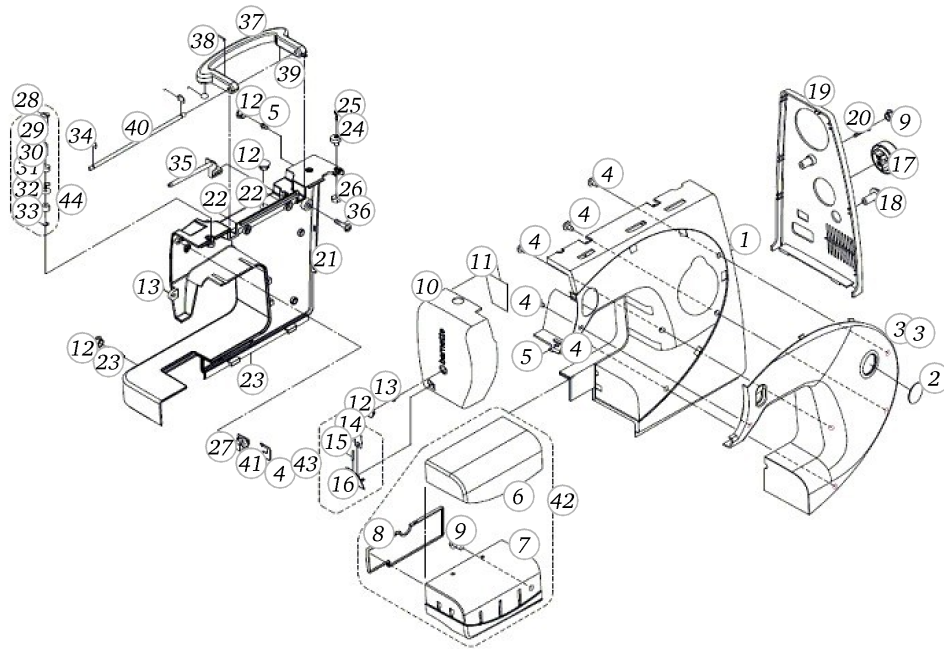
## Milan 2, 3, 5, 7, 8

## Free arm (Rome 3)



Pos	Item number	Description	Supplier Part no.
35	5020206232	BOBBIN WINDER CRANK SPRING	V61563003
36	5020207869	E-RING ETW-5	003010053
37	003043006	Spring pin (ø3×6×0.6)	
38	GGRR013892	FEED REGULATOR DIAL	
39	004300186	WASHER (6.2×12×0.5)	
40	5020209691	E-Ring (E-4)	003010046
41	5020209175	Feed regulator gear	V61183000
42	EAA0203003	Feed regulator set plate	
43	5020206112	SET SCREW	004240106
44	5020206087	ZIG ZAG WITH DIAL PLATE	
45	003043008	Spring pin (□3×8)	
46	004900063	Washer (6.2×12×2×0.15)	
47	5020207378	ZIG ZAG WIDTH DIAL	GGR8793892
48	004300076	Washer □4.2×9×0.5 □	
49	004240676	SET SCREW (M4×5 B)	
50	5020206084	ZIG ZAG WITH CRANK	
51	5020206095	E-RING ETW-3	003010036
52	GGR0464892	DIAL TENSION COMPLETE	
53	GGR8794892	ZIGZAG WIDTH DIAL COMPLETE	
54	GGRR014892	BOBBIN WINDER FRAME COMPLETE	

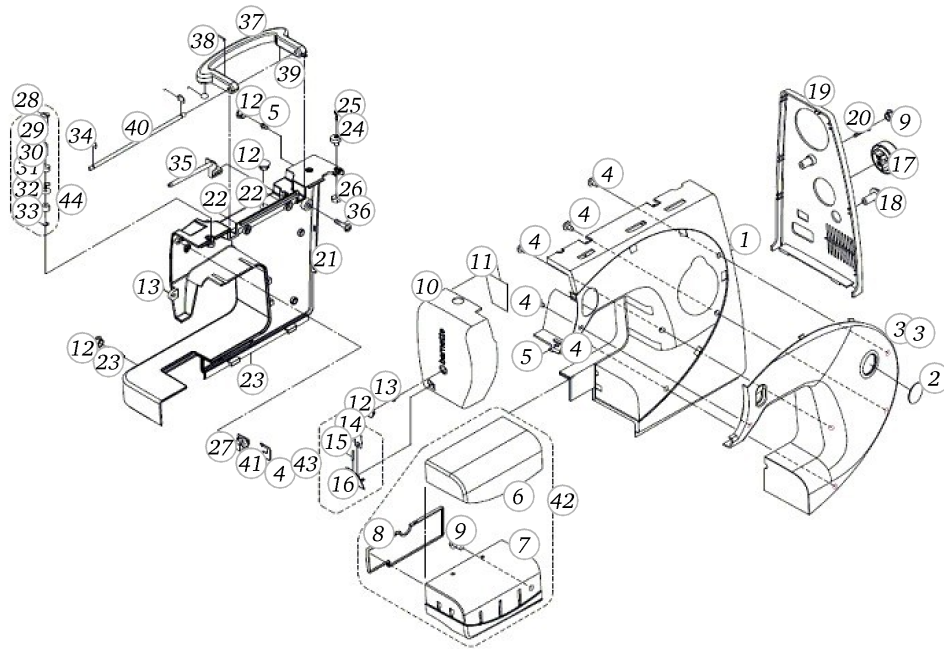
## Milan 2, 3, 5, 7, 8



## Covers

Pos	Item number	Description	Supplier Part no.
1	GGRC243892	FRONT COVER	
2	5020206173	PATTERN DISPLAY WINDOW	GGR6043002
3	G3RP063060	FRONT PLATE	
4	5020209419	Screw M3*8.5	004230216
5	5020206112	SET SCREW	004240106
6	GGR6013060	SEWING PLATE TABLE	
7	GGR0353892	Sewing table body	
8	5020206835	Sewing table body cover	
9	004230786	Set screw (M3×7 )	
10	GGRF013892	FACE PLATE	
11	5020207374	Heat resistant plate	GGR0523000
12	5020205890	CAPS	E9R0803892
13	5020206110	SET SCREW	004240056
14	5020210055	Thread cutter fragment	E9R0103001
15	5020209951	Fadenabschneider	E9R0973000-1
16	E9R0653892	Thread cutter cover	
17	E9R0193892	SELECTOR DIAL	
18	5020206016	ADJUSTING DIAL	GGR0393892
19	5020206172	MOTOR DRIVE BELT COVER	GGR6003892
20	004240372	SET SCREW (M4X25 B)	
21	5020206203	BACK COVER	GGR0563892
22	5020206114	Screw	004240306
23	5020206109	SET SCREW	004240046
24	5020205856	BOBBIN WINDER THREAD GUIDE CPL.	GGR0205000
25	V610213001	BOBBIN WINDER THREAD GUIDE ADJUSTING	
26	5020205858	BOBBIN WINDER STOPPER	E1A2393000
27	004106371	SET SCREW (9/64×4×18 B)	
28	5020206124	NUT	004706013
29	H13153001	BOBBING WINDER THREAD GUIDE SPRING	
30	H13133001	BOBBING WINDER SPRING DISC	
31	V610223001	BOBBIN WINDER THREAD GUIDE	
32	E1A2353006	Spacer	

## Milan 2, 3, 5, 7, 8



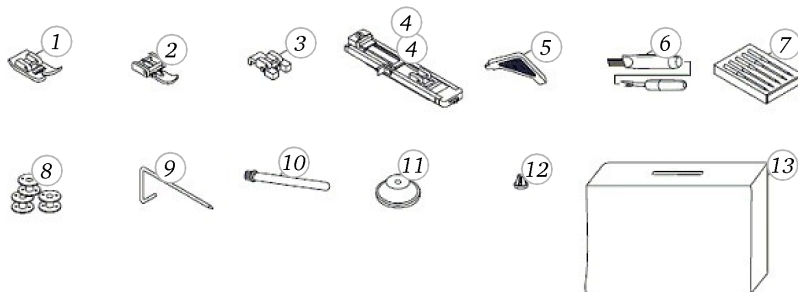
## Covers

Pos	Item number	Description	Supplier Part no.
33	5020206095	E-RING ETW-3	003010036
34	5020207868	E-RING ETW-4	003010043
35	5020206069	SPOOL PIN SHAFT	E9R0673892
36	004230656	Set screw (M3×1.06x16B)	
37	5020207734	Handle	E9R0133892
38	5020206728	HANDLE	E9R0643001
39	5020206295	FOOT RUBBER	F91403000
40	E9R0153006	Handle rod	
41	5020209233	LEADING HOOK	
42	5020209121	SEWING PLATE TABLE	GGR6014060
43	5020205857	THREAD CUTTER CPL.	E9R0654000
44	E1A2864000	Bobbin winder thread guide complete	

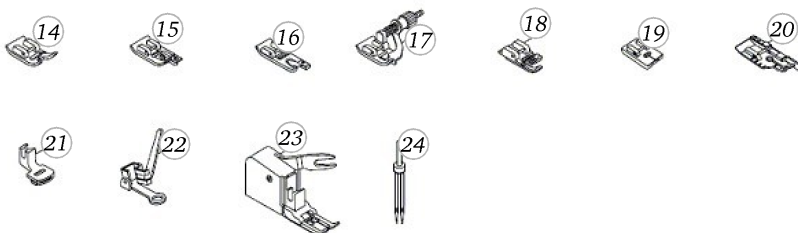


## Milan 2, 3, 5, 7, 8

### STANDARD ACCESSORIES



### OPTIONAL ACCESSORIES



## Accessories

Pos	Item number	Description	Supplier Part no.
1	5020205864	ZIG ZAG PRESSER FOOT	006806008
2	5020205917	ZIPPER-FOOT	006905008
2	5020205999	ZIPPER FOOT	U2-FS3-005
3	5020205918	BUTTON-SEWING-FOOT	006914008
3	5020205998	BUTTON SEWING FOOT	U2-FS3-004
4	5020207496	BUTTONHOLE FOOT	006Q6A0150
5	5020205920	L-SCREWDRIVER	006093009
6	5020205921	SEAM RIPPER/BRUSH	006099008
7	5020206601	NEEDLE BOX (5PCS)	006221008
7	0025077102	Needle Set 130/705 H Packed ASS 70-90 (5)	
8	5020205923	BOBBIN	5020208150
9	5020205924	SEAM GUIDE	006008001
10	5020207088	SPOOL PIN 6.64 MM	R60033892
11	5020205926	SPOOL HOLDER BIG	R12373892
12	5020205927	SPOOL HOLDER SMALL	TA10943892
13	E7RL013209	SOFT COVER	
14	5020205955	SATIN STITCH FOOT	
15	5020205956	OVERCASTING FOOT	
16	5020205957	HEMMER FOOT	
17	5020205958	BLIND HEM FOOT	
18	5020205959	CORDING FOOT	
19	5020206842	INVIS.ZIPPER FOOT	006E9R0001
20	5020206841	QUILTING FOOT	006E9R0003
21	5020205936	GATHERING FOOT	
22	5020205935	DARNING/EMBROIDERY FOOT	006016008
23	5020205963	WALKING FOOT	